

C.S.

MILITARY.

(DRILL HALL)

1926.

No.

44/26

C.E. 710

Letter from Mr. W. Erant
Crown Agents Office.

SUBJECT.

1925

1st December.

MINIATURE RIFLE RANGE.

Previous Paper.

M.P. 455/24 & 1/70/25.

MINUTES.

1. Letter from Mr. W. Erant, 1st December, 1925.

6. Minute from Governor, dated 18th January, 1926.

1. Of the various stop butt systems for miniature ranges that with deflector slats is generally recognised as one of the most suitable, and I have no hesitation in recommending its adoption.

2. The plans prepared by Mr. Erant show a miniature range which will compare favourably with those in most Territorial Drill Halls in the United Kingdom, and is better than a number I inspected in Glasgow a few years ago. It appears, however, to contemplate the range as a fixture, whereas the intention is that the whole of the floor space with the exception of that occupied by the butts should be available for drill purposes when the range is not in use. It will be quite easy to arrange this, however, during construction, but care will

Subsequent Paper.

have to be taken to make the steady firing platform so that it can be removed easily.

3. It transpires that copies of the drawings which accompanied the Indent were not retained

4. A further point that will require careful consideration is that of lighting. This will be done by means of lamps at night, and a lamp shelf is shown on the plan. For day time use, however, it may prove necessary to provide a skylight. This question does not arise just at present, but should not be overlooked as the drill hall takes shape.

5. Y.E. asked to be reminded about acknowledging Mr. Evans's letter.

J.S.
23/3/26

H.C.S.

Mr. Evans's proposal can be adopted but before I write to him Colonial Engineer should see this: has all the fitting been received?

J.S.
13 March 1926.

Colonial Engineer.

Referred to you accordingly

2. A further point has occurred to me and that is that the proposed miniature range provides for stationary targets only. It may be possible at a later stage to arrange for "moving" and "snapshooting" targets

J.S.
13/3/26

Referenced
1st April 1926
J.S.

side Minute Paper.

7-11. Letter from Mr W Grant 5th February 1926.
Colonial Engineer

This M.P. was recalled from your Office to day, to attach (7)-(11).

2. Please note this letter from Mr Grant in connection with previous correspondence on this M.P., on which a report from you is still outstanding.

3. Duplicate copies of drawings Z 2524 2525 + 2526 should be withdrawn by you for guidance - also duplicate copy of "Notes for fixing Target Gear etc."

4. Please deal with this as early as possible, as Mr G. wishes to acknowledge Mr Grant's letters and valuable assistance.

D.
1.4.26

H.S. informed me verbally that he would see Mr Grant when he arrived in England and would thank him personally.
D.

The Hon ; Colonial Secretary.

Letter noted.

2. Contract price 331- 2- 7 plus freight etc. I shall be glad to know if these charges, when received, are to be debited to Drill Shed or under a head in the Military Department ?

3. Duplicate of drawings Z 2524 / 25 / 26 and notes for fixing of targets withdrawn (now in office file "M") .

4. The following packages were received per " Loreto " 23/3/26. and are now in the Store.

I case. marked. H.C. 565.
1097 / IIIIO steel plates.

I case. 9272 bolts; nuts; and flats.

No contents list is to hand. (See m/p. 70/25).

5 I am of the opinion that , at a later date, moving targets could be fitted.

M. Gasley.
Col: Engineer.
2174/26.

O.C. Defence Force.

Please consider these plans etc. carefully, and furnish any observations you may have to make.

B.
29.4.26

Hon, Col, Sec.

I have gone carefully over the plans of the miniature range, and with the instructions sent by Mr Eraut there should be no difficulty in erecting the range.

I note that the fittings are portable, and when removed to the side of the Hall will give a clear space for other purpose.

I am of opinion that the range supplied will be a great benefit, and facilitate the training of the members of the Force.

H. Watson
O.C. D.F. Force
Aug. 5th, 1926.

28.
Submitted

O.C. Sec.
11. Aug 1926.

O.C. Sec. This M.P. has been with O.C. Defence Force for over 3 months — See my minute of even date on mt. 450/24

2. No action can be taken in respect of the miniature range until the action of the Drill Hall, is well advanced.

3. With reference to the enquiry in para. 2 of Colonel Engineer's minute of 21st April, Mr. Gasley must have

C.S.O. No. 44/26.

Inside Minute Paper.

Sheet No. 3

Overlooked the note on Indent (Incl. ②) on sub. J. 70/25.) This shows that the cost of the miniature Range was to be charged to Unallocated Stores a/c to be subsequently adjusted against Appendix 1 Item 4.

A.
17 Aug 1926

Clerk in Chg. P.W.D.

For note.
G.K.L.
O/C Sect.
17 Aug 1926

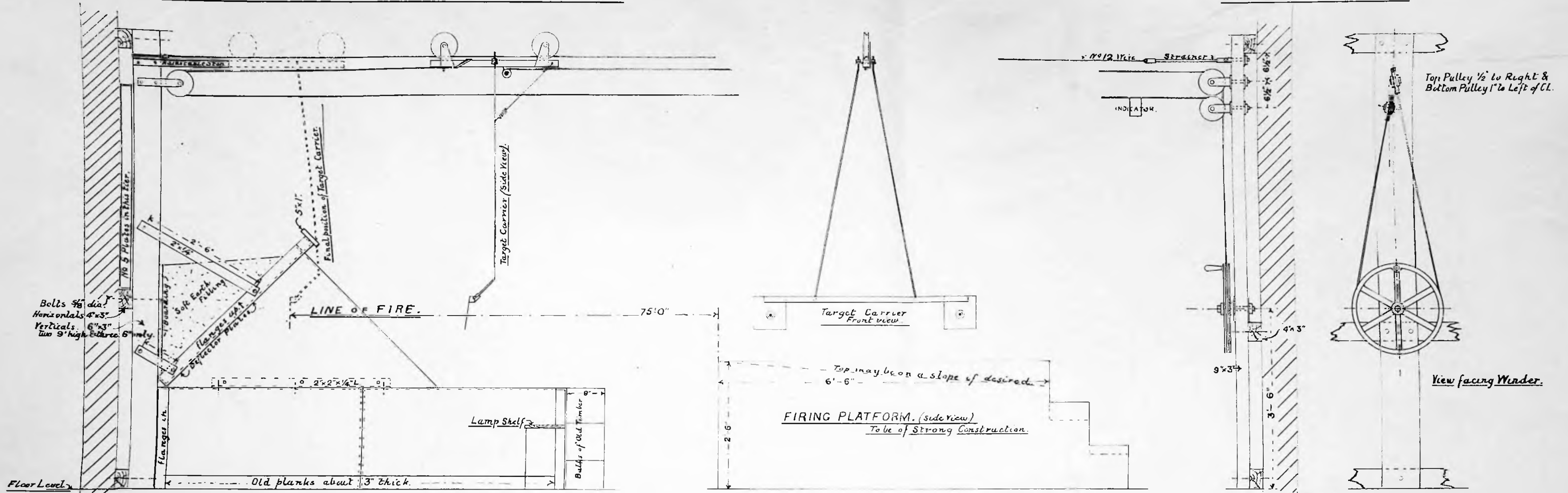
O.C. Sect.

Noted.
E. H. Round.
Clerk in Chg. P.W.D.
26/8/26.

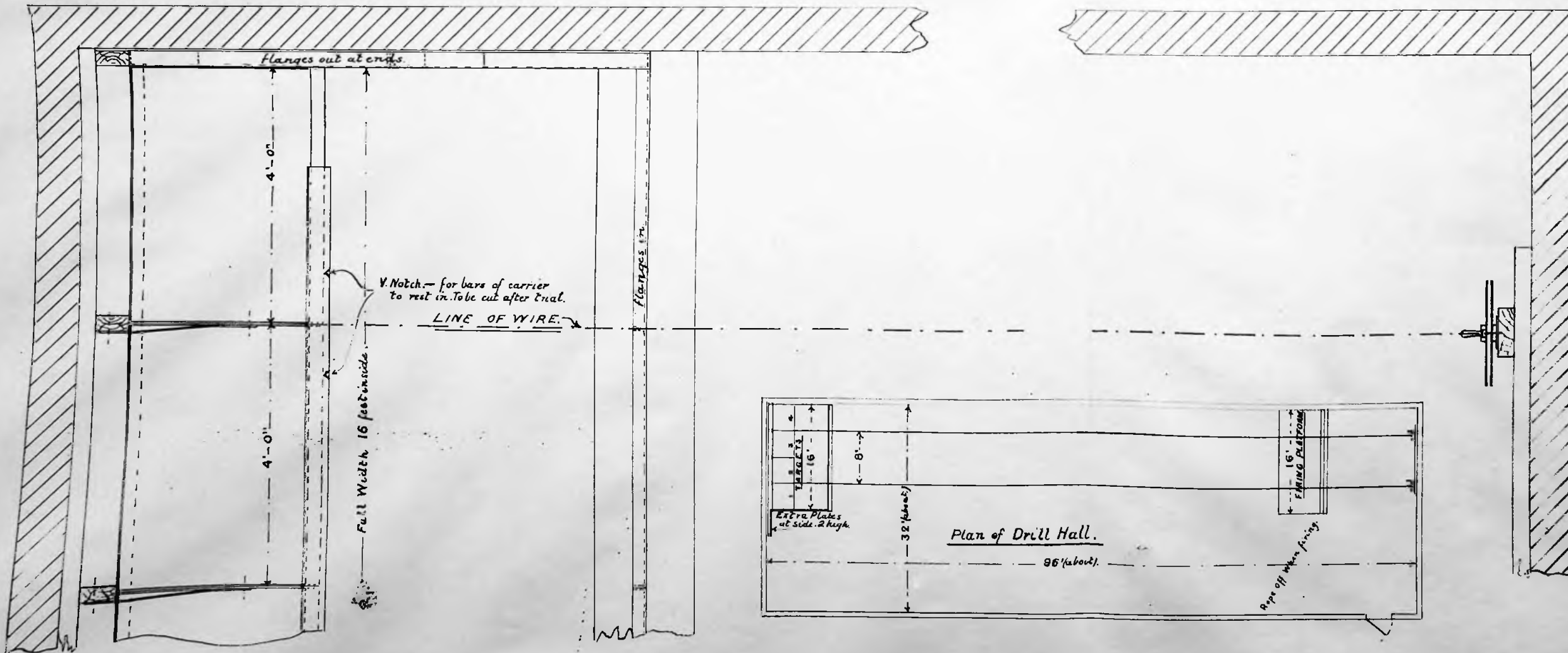
Plans of miniature range
withdrawn for South Georgia,
Note returned
to Mr. Watson.
30.1.28.

FALKLAND ISLANDS. MINIATURE RIFLE RANGE.

DRAWING N° Z 2524.

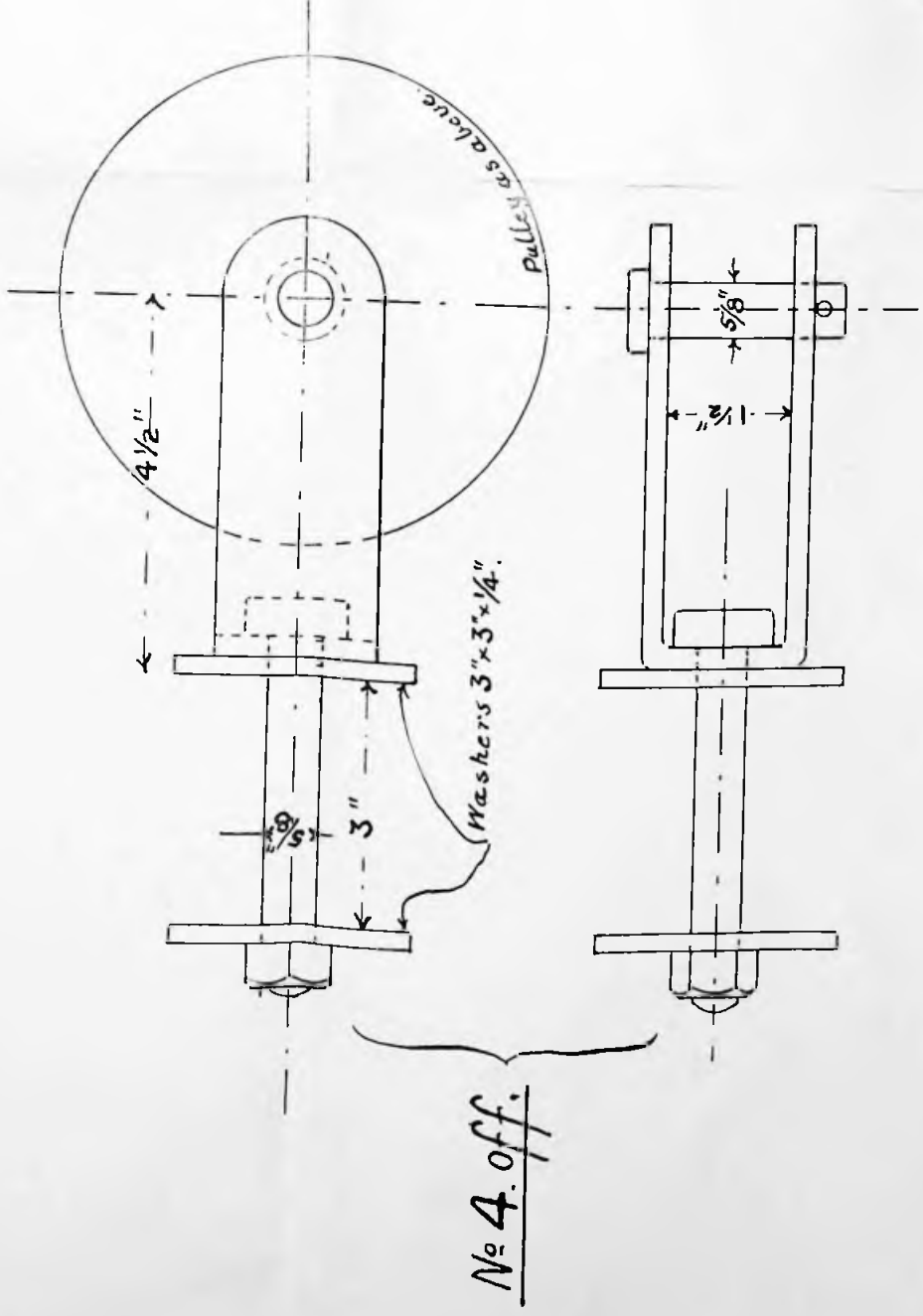
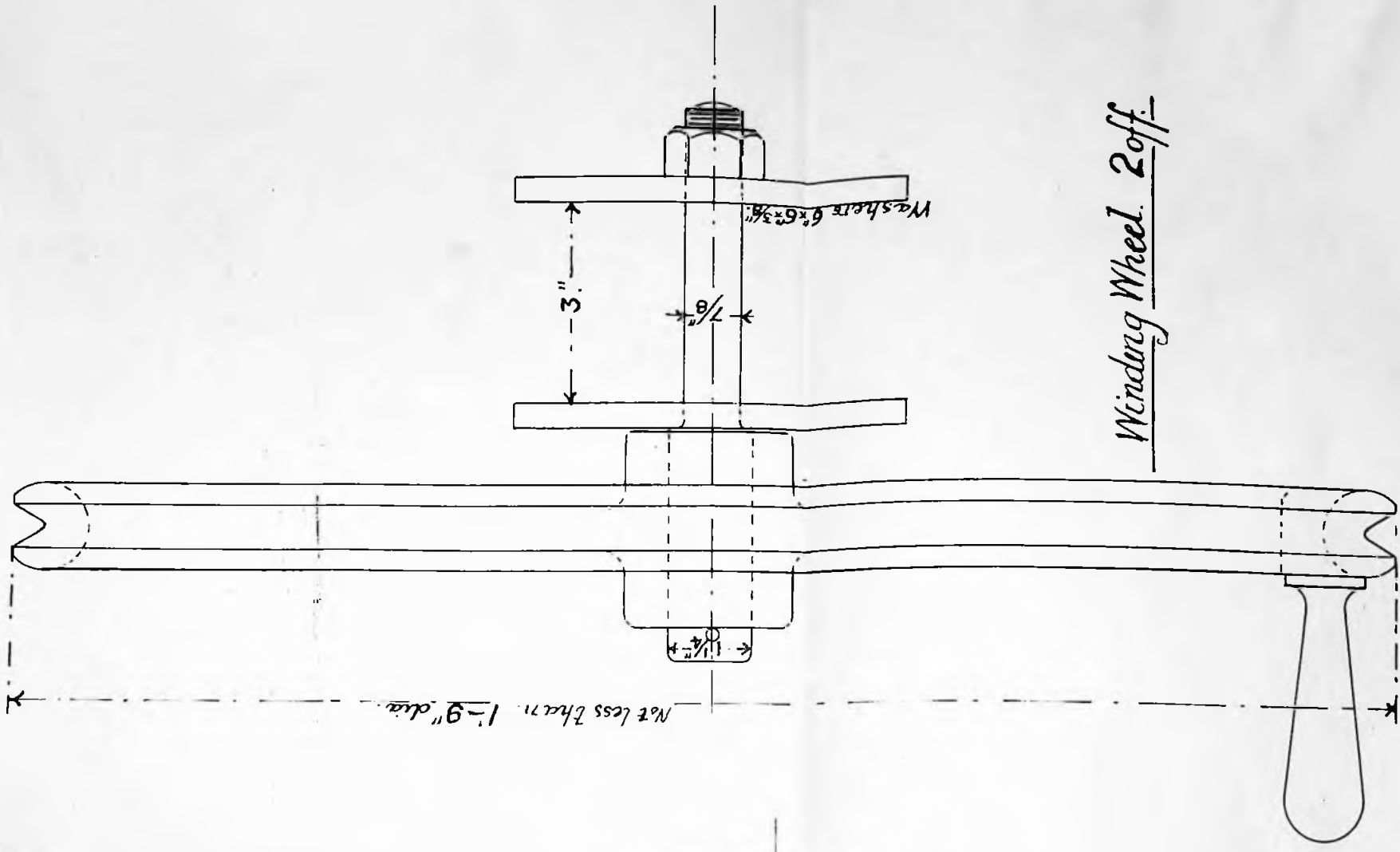
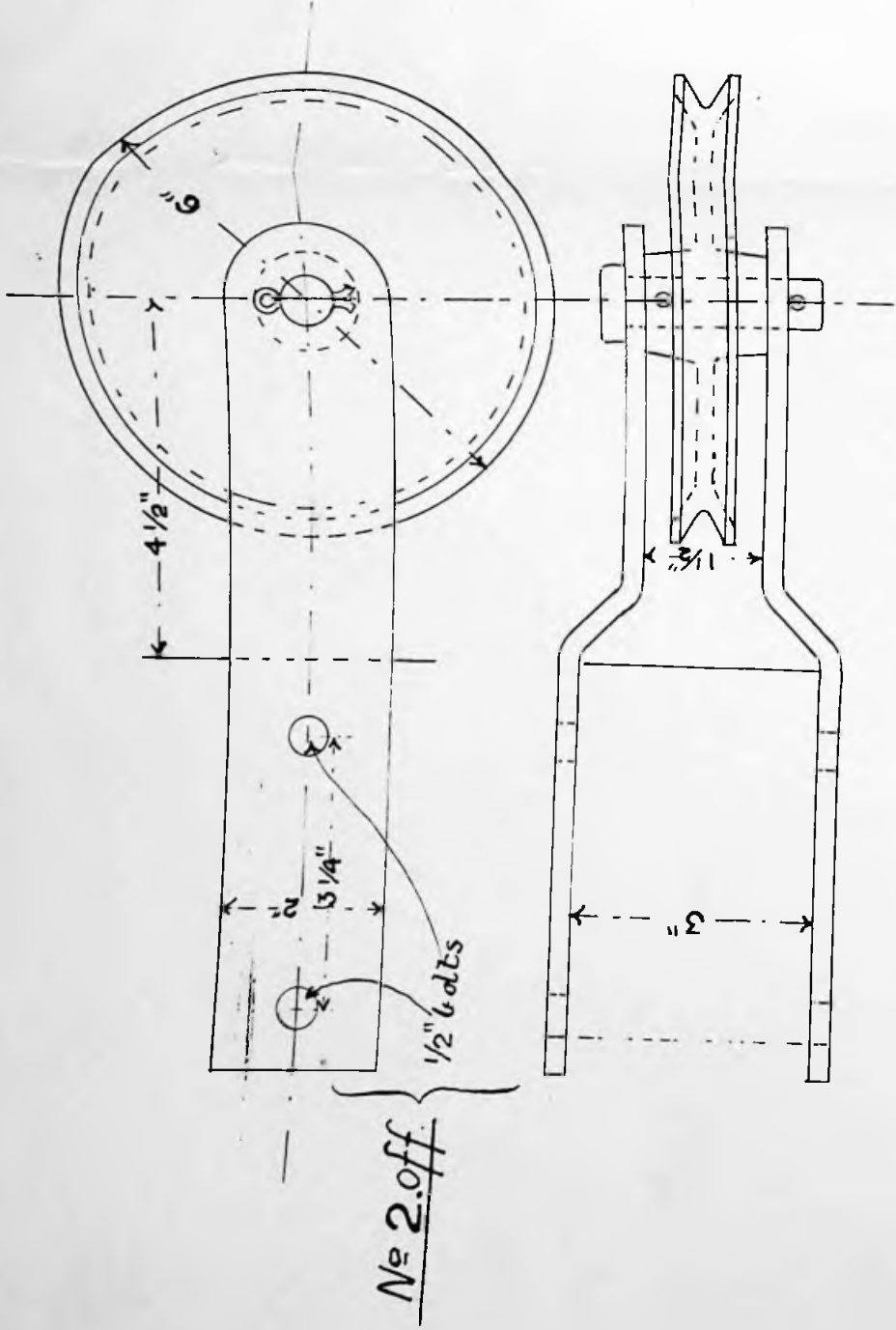


PLAN.



W.S. 2/1/15

DRAWING No Z2526



Scale 6" = 1 Foot.

W.E. 27/11/65.



M.P 44/26.

5

ALL COMMUNICATIONS
TO BE ADDRESSED TO THE
CROWN AGENTS FOR THE COLONIES,
THE DATE OF THIS LETTER BEING QUOTED
AND THE FOLLOWING REFERENCE: W/FALKLAND ISLANDS
TELEGRAMS. "CROWN, LONDON." 2261.
TELEPHONE. 7780 VICTORIA

4, MILLBANK,
WESTMINSTER,
LONDON, S W. 1.

1st December, 1925.

Dear Sir John,

Many thanks for your letter regarding fittings for Miniature Rifle Range. I am so glad that you called my attention to this indent.

The drawing which accompanied the indent shows the steel plates at the target end of the range covered with wood screening and ballast packing between the plates ~~of~~ the screening. This would be a very effective arrangement but would, I fear, be expensive to carry out, and also has the following disadvantage - after a few dozen shots have been fired at any particular target, a hole (varying in size according to the accuracy of the shooting) is cut through the woodwork and the ballast then begins to come out. This trouble continues at frequent intervals.

I have now prepared drawings for the scheme and in doing so I have shown an alternative, comprising deflector plates (4' square tank plates) set at 45°. The bullet on impact is thrown down to the rough planking spread on the floor. I am arranging that a sufficient number of the tank plates shall be cut in halves before despatch so that the target end can be erected in accordance with the drawing which I enclose, should you so decide. If you decide to adhere to the original proposal, the half plates can be erected across the end quite as well as whole plates.

(contd.)

(A)

I think you would find it more convenient to keep the targets and the firing platform to the far side of the building, and thus keep your floor area more free for use when firing is not taking place.

I enclose Drawing No. Z2524 showing the general lay-out of rifle range and details of target end, and arrangement of wires for manipulation of the targets; also Drawing No. Z2526 showing details of pulleys and winding gear for manipulating the targets.

The details of the target and winding gear are on the lines of those designed for the range in this Office which have proved quite satisfactory in service. The targets are carried in pairs by a carrier running on a stretched wire, the target carrier being manipulated backwards and forwards by an endless light steel cord. There will be two sets of such fittings, thus providing for four targets in accordance with your scheme.

You will note that on Drawing No. Z2524 I have shown an ~~end~~^{side} view of the firing platform. Please do not be misled by the view of the target carrier shown immediately above this. The latter has really been swung round to give you a front view instead of a side view. The firing platform will be constructed locally of such timber as you have available. The actual target runners and carriers I am constructing myself, and I hope that these may prove as satisfactory as those which I ~~have~~ made for the range here.

The enclosed statement of materials furnishes:-

(contd.)

- (a) Particulars of the timber (to be provided locally) required for the fitting up of the range in accordance with the drawings referred to above.
- (b) Particulars of tank plates and bolts which will be sent from this country.
- (c) Particulars of bolts and fastenings required for construction of timber work and securing tank plates etc., which will also be sent from this country.

I hope that this, with the further particulars which I shall send with the goods, will make the whole matter clear to your people. I am now getting the orders forward and will endeavour to arrange shipment by the next opportunity.

I am sorry to learn from your letter that you have had such rough weather and hope that your summer season will be above the average. We have just had a very sharp snap here but it shows signs of breaking.

With all good wishes for the New Year,

Yours sincerely,

W. Erant.

Sir John Middleton, K.C.M.G.,
Governor,
Government House,
Stanley,
Falkland Islands.

RIFLE RANGE.

Timber
(to be provided
locally)

Target End.

No. 3 Horizontals 4" x 3" x 16 ft. long.
 No. 2 Vertical 6" x 3" x 9 ft. "
 No. 3 " 6" x 3" x 6 ft. "
 36 ft. super 1" ballast board.
 16 ft. run, 1" shelving 9" wide on 4 supports 15" high.
 16 ft. x 8 ft. super old 3" planking to cover floor.
 24 cubic feet old balks 9" thick to form screen in
 front of front plates.
 12 ft. run of 5" x 1" in rest for target carrier.
 Sundry blocks for fixing top and side tier of tank
 plates.

Firing Platform.

Timber to suit local design.

Framing for Winder.

No. 3 Horizontal pieces 4" x 3" say 12 ft. long
 (to span vertical framing of building.)
 No. 2 Verticals 9" x 3" by 9 ft. long.

Tank Plates etc.,

B. 2/16
 F.o.b. { No. 10 plates 4 ft. square.
 No. 6 plates cut in halves parallel to one side.
 No. 1 plate cut in halves on the diagonal.
 No. 2 pieces 2" x 2" x 1/4" Angle, 3'6" long each
 with 6 holes and bolts for bolting diagonal
 cuts to flanges of plates.
 No. 3. 2" x 1/4" straps 2'8" long with hole at each end.
 No. 3. 2" x 1/4" " 11" long " " " " "
 6 dozen bolts for bolting up tank plates.

Bolts etc.,

B. 4/17
 F.o.b. { 1 doz. 5/8" bolts 9.1/2" long between head and nut.
 1 doz. 5/8" bolts 6.1/2" " " " " "
 1 doz. 1/2" bolts 3.1/2" " " " " "
 3 doz. 5/8" coach screws 7" long.
 6 doz. stout washers for 5/8" bolts.
 300 ft. galvd. steel wire No.
 440 ft. " wire stranded cord No.
 No. 2. 18" straining screw with eye bolts, nuts and
 washers for fixing to 3" thick timber.

F. 6/16
 No. 2 Sets of Pulleys straps and bolts, and winder
 wheels complete to drawing No. Z 2526.

C. 4/17
 No. 2 Runners complete for Target carrier.
 No. 2 sets of ironwork complete for Target carriers
 to drawing No. Z 2525.

M.P. 44/26

Reprints separately.

From His Excellency the Governor



to The Honourable the Colonial Secretary.

Mr. Staur has taken as minimum amount,
with the minimum range, please do not
omit to remind me later to thank him.

I should be grateful if you would go into the
matter + advise me as to which scheme you
consider preferable. you will find ^{copies of} drawings which
are sent home in papers about drift bottle

[Signature]
18 January 1926

NOTES FOR FIXING TARGET GEAR ETC.,

-----oOo-----

Timber framework should be erected at each end of the range in accordance with particulars shown on drawing No. Z.2524.

The 9" x 3" verticals at the firing end of the range should be fixed with their flat towards the end wall of building and the 6" x 3" verticals at the target end should have their edge towards the end wall; the two pieces 9 ft. high (about) should be about 4 ft. and 12 ft. respectively from the side wall as the wires have to be attached to the tops of these members.

The pulleys and operating wheel should be fixed to the vertical members in the approximate position shown.

The solid wires on which the target carriers run are the top ones. These should be firmly attached to the tops of tall verticals ^{at about 3'-6" above floor} at target end and cut sufficiently long for attachment to the straining screws at the fixing end, but before attachment each wire should be threaded through the 2 large eyes on the top or pulley side of the oak rail, and it will be found that the pulleys run on the wire and ^{do not} ~~thus~~ do not foul the eyes (the eyes are really to prevent the pulleys from being jerked off the wires). The fixed wires can next be attached to their straining screws and tightened up.

The running wires (stranded wire) can now be attached and run over pulleys and round the operating wheels as shown on drawing. The slack on this wire is taken up by means of the small winders fixed to the underside of rail of carrier and the wires tightened up just sufficient for nice working.

Attach suspending rods to carriers and the horizontal target bar, ^{so} then to be arranged as shown on drawing No. Z.2525, the two nuts on each of the rods should be locked together on the top of the plates fixed on upper side of oak rail of runner; the rods should thus swing quite free on the runner. The larger coil springs

(contd.)

(6 sent in box of small fittings) should be attached, one each, to the small holes about 1 foot from top of suspending rods and connected up to the wires attached to front end of runners (as shown on drawing No.Z.2524) so that the rods still hang vertically.

The adjustable stops (fixed at the target ends) should be so fitted that when the runner is right up against it the tops of the suspending rods are pulled over say 6" and the lower end will rest in notches to be cut in the piece of 5" x 1" board fixed along top edge of deflector plate, and everything will thus be steady.

Card holders.

One card holder is being sent out attached to the bar (the end view is shown on drawing No. Z.2525). The other three should be attached in a similar manner. The cards can be attached either above or below the bar. The "holder" is opened by a slight twisting of the blocks fixed to the bar. The springs can be adjusted by shortening but the holding screws should be well into the wood so that the edges of the holes in the holders do not catch on the threads.

If the cards do not hang quite vertical, their position can be varied by adjusting the length of the adjustable stop or by a slight adjustment on the back face of the small piece of wood which forms a part of the holder.

The two small red indicators should be attached to the lower running wires so that they may come into a conspicuous position just before the targets get to their final position, and thus avoid serious attempts at overwinding.

The small parts are packed in a small box in Case No. H.C 665 and comprise:-

- Large coil springs.
- Small coil springs for card holders.
- Screws and washers for card holders.
- Spare split pins, washers, bolts, screws,
etc.,
- Two red indicators with screws.



ALL COMMUNICATIONS
TO BE ADDRESSED TO THE
CROWN AGENTS FOR THE COLONIES.
THE DATE OF THIS LETTER BEING QUOTED
AND THE FOLLOWING REFERENCE: W/FALKLAND ISLANDS
2261.
TELEGRAMS. "CROWN, LONDON."
TELEPHONE. 7780 VICTORIA

4, MILLBANK,
WESTMINSTER,
LONDON, S W. 1.

5th February, 1926.

Dear Sir John,

Referring to my letter of the 1st December, I am glad to inform you that the material for your miniature rifle range has now been completed and will, I hope, all be shipped by the s.s. "LORETO" sailing from Liverpool about the 8th February, and Swansea about the 11th February.

The contracts for the work which have been reported in the normal course were as follows:-

Messrs. Brown, Lenox & Co.	Steel tank plates.	£15. 0. 0.
" Buck & Hickman, Ltd.	Bolts, wire, etc.,	£6. 17. 7.
" W.H. Willcox & Co.	Wheels, pulleys, etc.,	£9. 5. 0.
		<u>£31. 2. 7.</u>

As each of the above firms very kindly agreed to charge no profit on their portions of the work, the total cost is only about £5 in excess of your estimate, and I trust that this will cause no inconvenience.

I now enclose, in duplicate, drawings and "Notes for fixing target gear etc." for guidance in fixing up the apparatus, but should there be any points which are not clear, please let me know.

It has been a pleasure to me to work out the details of this scheme and also to make the target runners

(contd.)

*Filed in folder
Encl. 7.*

and carriers, which are being despatched from this Office in Case No.H.C.565. In asking your Government to accept my small services in this matter, I would express the hope that the range may prove to be a source of useful training and recreation at Port Stanley.

Yours sincerely,

W. Evans

Sir John Middleton, K.C.M.G.,
Governor,
Government House,
Stanley,
Falkland Islands.